

**CK20**  
SERIES

**24.5-40 HP**  
COMPACT TRACTORS



**Engineered for Efficiency, Built for Productivity**





## **CK20 / CK20SE SERIES** **TRACTORS THAT BOOST PRODUCTIVITY AND EFFICIENCY**

Designed for homeowners, hobby farmers, small-scale ranchers, and small business owners who require more power and performance in a compact tractor. These machines deliver the power and versatility you need to effortlessly tackle tasks such as mowing lawns, tilling fields, and digging trenches. The SE models elevate your operating experience with enhanced comfort and convenience features.

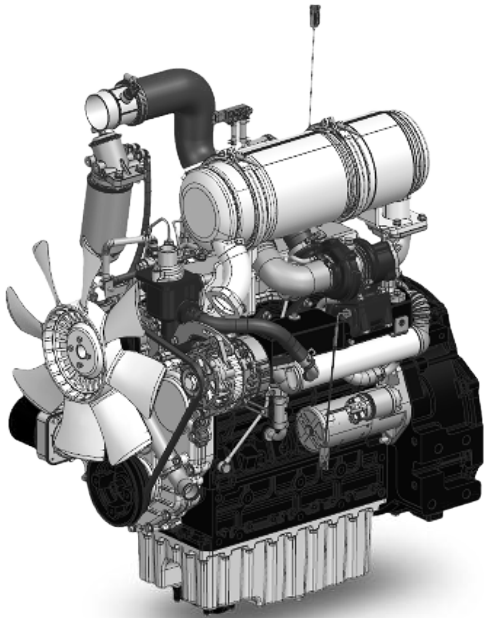


**WE DIG  
DIRT**

- **Manual or Hydrostatic Transmission**
- **High-Capacity Hydraulics**
- **Single Lever Joystick**
- **3-Point Control Lever**
- **Four-Wheel Drive**
- **High Ground Clearance**

# CK20 SERIES

## WHERE POWER MEETS VERSATILITY FOR EFFORTLESS WORK



### Fuel Efficient Diesel Engine

KIOTI's powerful Tier 4 diesel engine with ECO Technology delivers exceptional performance, improved fuel efficiency, and reduced noise levels.

### Proven Quality and Performance

Rely on the proven performance of the KIOTI engine to deliver consistent power and reliability, ensuring that you can tackle tough jobs with confidence, knowing that your equipment will deliver optimal performance reliability.



### Single Lever Joystick

The joystick provides single-lever control for the loader functions. When released, it returns to neutral, stopping the loader in its current position. A float position allows the bucket to float freely over the ground surface.



### High-Capacity Hydraulic Pump

Boost productivity with our efficient dual hydraulic pumps, delivering exceptional flow and power to loaders and hydraulic implements. Providing reliable performance to get the job done efficiently.



### 3-Point Control Lever

The ergonomic 3-point control lever features smooth motion for reduced effort and improved control, enabling a more comfortable and precise operating experience.



### Rear Differential Lock

Engage or disengage the differential lock with a simple lever for optimal traction in uneven or muddy terrain.



### Four-Wheel Drive

Four-wheel drive comes standard on all models and is engaged with a simple push-pull lever.



### Power Steering

The standard power steering minimizes the effort needed to make tight, repetitive turns.



**HST Pedals**

Allows for seamless on-the-go direction changes, keeping you focused on the job.



**Auto Manual PTO (SE Models)**

Engages automatically when lowering attachments and disengages when raising them.



**Rear Hydraulic Remotes (SE Models)**

Enables fingertip control of rear hydraulic implements.



**Deluxe Suspension Seat**

Provides a comfortable ride for the operator, even on rough terrain.



**Tilt Steering Wheel (SE Models)**

Easily adjusts with a push of a lever for personalized comfort.



**Rubber Floor Mats (SE Models)**

Protects the base from dents and scratches, making it easy to clean.



# CK20 SERIES

## COMPACT TRACTOR SPECIFICATIONS

MODEL		CK2620	CK2620H	CK3520	CK3520H	CK4020	CK4020H
<b>ENGINE</b>							
Engine Gross	HP (kW)	24.5 (18.2)		34.9 (26.0)		39.6 (29.5)	
PTO	HP (kW)	19.5 (14.5)	18.7 (13.9)	30.9 (23.0)	28.9 (21.6)	34.8 (26.0)	33.3 (24.8)
Displacement	cu. in. (cc)	100.5 (1,646.9)		111.4 (1,825.5)			
Rated Revolution	rpm	2,400		2,600			
Fuel Tank Capacity	gal. (ℓ)	9.0 (34.1)					
<b>DRIVE TRAIN</b>							
Clutch		Dry Dual Stage					
Transmission		Manual	Hydrostatic	Manual	Hydrostatic	Manual	Hydrostatic
Speeds		9F/3R	3 Range	9F/3R	3 Range	9F/3R	3 Range
Differential Lock		Rear Standard					
Brake		Wet Disc					
PTO		Live					
Rear PTO		540					
Mit PTO (Optional)		2,000					
4WD Type		Manual					
<b>HYDRAULIC SYSTEM</b>							
Pump		Gear					
Pump Capacity (Max. Flow Rate)	gpm (L/min)	11.7 (44.4)					
3-Point Hitch		Category I					
Maximum Lifting Capacity*	lb. (kg)	1,631.0 (739.8)					
Hydraulic Lift Control System		Position					
No. of Standard Remote Valves		2 (Optional)					
Steering		Hydraulic Power Steering					
<b>TIRE SIZE</b>							
Front AG.		7-16 (28*8.5-15/6, 27 x 8.5-15)					
Rear AG.		11.2-24 (41*14-20/4, 15-19.5)					
<b>TRAVELING SPEEDS</b>							
Forward	mph (km/h)	0.75~9.79 (1.21~15.75)	0~10.01 (0~16.11)	0~14.8 (0~23.94)	1.03~15.53 (1.65~25.00)	0~14.88 (0~23.94)	
Reverse	mph (km/h)	0.94~6.89 (1.51~10.29)	0~7.01 (0~11.28)	0~10.41 (0~16.76)	1.00~15.14 (1.61~24.36)	0~10.41 (0~16.76)	
<b>DIMENSIONS</b>							
Overall Length w/o Front Weight & w/ 3-pt Hitch	in. (mm)	120.8 (3,070.0)					
Overall Width (Min. Tread)	in. (mm)	54.5 (1,385.0)					
Overall Height	in. (mm)	92.9 (2,360.0)					
Wheelbase	in. (mm)	65.7 (1,670.0)					

\* @ 24 aft. of hitch

NOTE: specifications and design are subject to change without notice.



# CK20SE SERIES

## COMPACT TRACTOR SPECIFICATIONS

MODEL		CK2620SEH CAB	CK3520SE	CK3520SEH	CK3520SEH CAB	CK4020SE	CK4020SEH	CK4020SEH CAB
<b>ENGINE</b>								
Engine Gross	HP (kW)	24.5 (18.2)	34.9 (26.0)			39.6 (29.5)		
PTO	HP (kW)	18.7 (13.9)	30.9 (23.0)	28.9 (21.6)		34.8 (26.0)	33.3 (24.8)	
Displacement	cu. in. (cc)	100.5 (1,646.9)						
Rated Revolution	rpm	2,400						
Fuel Tank Capacity	gal. (ℓ)	9.0 (34.1)						
<b>DRIVE TRAIN</b>								
Clutch		N/A	Dry Single Stage	N/A		Dry Single Stage	N/A	
Transmission		Hydrostatic	Synchro Shuttle	Hydrostatic		Synchro Shuttle	Hydrostatic	
Speeds		3 Range	12 x 12	3 Range		12 x 12	3 Range	
Differential Lock		Rear Standard						
Brake		Wet Disc						
PTO		Independent						
Rear PTO		540						
4WD Type		Manual						
<b>HYDRAULIC SYSTEM</b>								
Pump		Gear						
Pump Capacity (Max. Flow Rate)	gpm (L/min)	11.3 (42.9)						
3-Point Hitch		Category I						
Maximum Lifting Capacity*	lb. (kg)	1,631.0 (739.8)						
Hydraulic Lift Control System		Position						
No. of Standard Remote Valves		2						
Steering		Hydraulic Power Steering						
<b>TIRE SIZE</b>								
Front AG.		7-16 (28*8.5-15/6, 27 x 8.5-15)						
Rear AG.		11.2-24 (41*14-20/4, 15-19.5)						
<b>TRAVELING SPEEDS</b>								
Forward	mph (km/h)	0~10.01 (0~16.11)	1.03~15.53 (1.65~25.00)	0~14.8 (0~23.94)		1.03~15.53 (1.65~25.00)	0~14.88 (0~23.94)	
Reverse	mph (km/h)	0~7.01 (0~11.28)	1.00~15.14 (1.61~24.36)	0~10.41 (0~16.76)		1.00~15.14 (1.61~24.36)	0~10.41 (0~16.76)	
<b>DIMENSIONS</b>								
Overall Length w/o Front Weight & w/ 3-pt Hitch	in. (mm)	120.9 (3,070.0)						
Overall Width (Min. Tread)	in. (mm)	54.5 (1,385.0)						
Overall Height	in. (mm)	92.5 (2,350.0)	92.9 (2,360.0)		92.5 (2,350.0)	92.9 (2,360.0)		92.5 (2,350.0)
Wheelbase	in. (mm)	65.7 (1,670.0)						

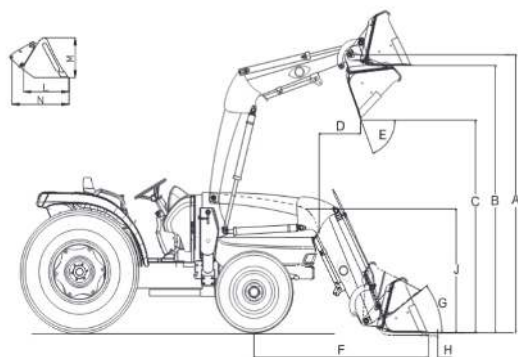
\* @ 24 aft. of hitch

NOTE: specifications and design are subject to change without notice.

## FRONT END LOADER SPECIFICATIONS

MODEL		KL4030	KL4030C
Maximum Lift Height (to Pivot Point)	in. (mm)	98.4 (2,499.0)	98.4 (2,499.0)
Clearance w/ Bucket Level	in. (mm)	93.0 (2,360.0)	88.0 (2,235.0)
Clearance w/ Bucket Dumped	in. (mm)	79.1 (2,010.0)	73.3 (1,864.0)
Reach at Maximum Height	in. (mm)	27.2 (690.9)	11.3 (287.0)
Reach w/ Bucket on Ground	in. (mm)	62.2 (1,579.)	63.4 (1,610.4)
Maximum Rollback Angle	deg.	28	28.5
Digging Depth Below Grade	in. (mm)	5.3 (134.6)	4.8 (121.9)
Overall Height (in Carry Position)	in. (mm)	49.6 (1,259.8)	53.1 (1,348.7)
Depth of Bucket (to Back of Inner Shell)	in. (mm)	19.9 (505.5)	19.1 (485.1)
Height of Bucket	in. (mm)	20.7 (525.8)	19.7 (500.4)
Length of Bucket (to Pivot Pin)	in. (mm)	26.9 (683.3)	24.3 in. (617.2)
Lift Capacity to Full Height (at Pivot Pins)	lb. (kg)	1,835.0 (832.3)	1,969.0 (893.1)
Breakout Force (at Pivot Pins)	lb. (kg)	3,464.0 (1,571.2)	2,989 (1,355.8)
Relief Valve Setting (Loader Control Valve)	psi (kg/cm <sup>2</sup> )	2,560.0 (180.0)	2,560.0 (180.0)
Bucket Capacity (Heaped)	in. <sup>3</sup> (m <sup>3</sup> )	60 (9.39), 66 (10.10)	60 (9.39), 66 (10.10)

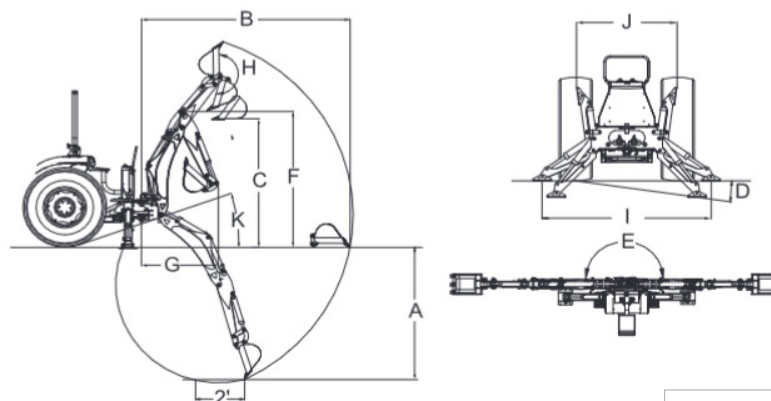
\*NOTE: specifications and design are subject to change without notice.



## BACKHOE SPECIFICATIONS

MODEL		KB2475L
Digging Depth (Two Foot Flat Bottom)	in. (mm)	89.7 in. (2,278.0)
Reach from Center Line of Swing Pivot	in. (mm)	125.1 (3,178.0)
Loading Height (Bucket at 60°)	in. (mm)	72.4 (1,839.0)
Maximum Leveling Angle	deg.	10
Swing Arc	deg.	180
Transport Height (Maximum)	in. (mm)	83.5 (2,121.0)
Transport Overhang	in. (mm)	49.0 (1,245.0)
Bucket Rotation	deg.	180
Stabilizer Spread (Down Position)	in. (mm)	68.7 (1,745.0)
Stabilizer Spread (Up Position)	in. (mm)	46.4 (1,179.0)
Angle of Departure	deg.	21
Shipping Weight (Without Bucket)	lb. (Kgf)	880.0 (399.2)
Bucket Digging Force	lb. (Kgf)	2,817.0 (1,277.8)
Dipperstick Digging Force	lb. (Kgf)	2,105 (954.8)
Operating Pressure	psi (bar)	2,466.0 (170.0)

\*NOTE: specifications and design are subject to change without notice.



## STANDARD EQUIPMENT

- Power Steering
- Rear PTO
- Wet Multi Disc Brakes
- Joystick Valve
- Drawbar
- Parking Brake
- Front Working Lights (Cab)
- Rear Working Light (Cab)
- Deck Mat
- Side View Mirror (SE models 2 ea)
- Telescopic Lower Links (SE models only)
- HST Linked Pedal (SE models only)
- Dual Remote Hydraulic Valve (Spring/Detent) SE models only

## OPTIONAL EQUIPMENT

- Front Weights
- Deck Mat
- Mid PTO
- Clevis Type Drawbar
- Side View Mirror (1 ea)
- Fuel Heater Kit (N/A on CK2620)
- Rear Wheel Weight (Ag Tire Only)
- 3rd Function Kit for Front End Loader
- Beacon Light (SE Cab Models Only)
- RPM Increase Kit for Loader (CK35/CK40 SE Cab Models Only)
- Bluetooth Speaker Kit (SE ROPS Only)
- Dual remote Hydraulic Valve (spring/spring & detent/dual detent)

## ATTACHMENTS

- Front End Loader
- Backhoe
- Snowblower
- Contact your local KIOTI dealer for available implements and attachments.



**Daedong - USA, Inc.**  
**KIOTI Tractor Division**

6300 KIOTI Drive, Wendell, NC 27591 USA

Toll free 877-GO-KIOTI Fax 919-374-5001

Web www.KIOTI.com

Dealer Imprint Area

LIT-CK20/CK20SE-01